

# blinds first



INSTALLATION \* INSTRUCTIONS

## CAROLINA WINDOW SHADINGS

SHIPS NEXT DAY, GUARANTEED

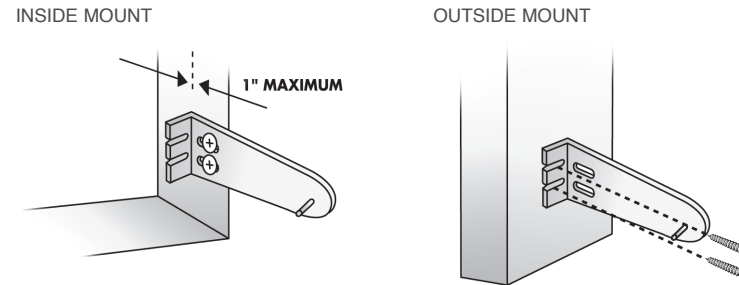
www.blindsfirst.com

### G HOLD DOWN INSTALLATION

Use the pin on the hold down bracket to punch out the front hole on the bottom rail end cap.

Mount the hold down to the side or back of the window frame so that the pin lines up with the front hole in the bottom rail end cap with the shade fully lowered and fully open.

Lower the shading and flex the hold down bracket outward so that the pin can be inserted into the hole in the end cap.



### CHILD SAFETY

At Blinds First child safety is a top priority. While getting the right blinds should be a fun experience, making sure they are safe is an important and real concern. That's why all of our products are fitted with the highest quality components to adhere to industry safety measures. Browse our child safety brochure for more information and check out all of the products, created by our family for yours.

### CLEANING AND CARE

Now that you have your stylish new window treatments installed, let's make sure that they stay in great shape! In order to keep them in tip top condition be sure to follow all of the recommended methods for care and maintenance. Regular care means your windows will stay looking great and performing optimally year after year.

Light Filtering = X / Room-Darkening = O

Dusting	Hand-Held Vacuum	Compressed Air	Hair Dryer	Spot Cleaning	Water Immersion	Ultrasonic Cleaning
X	X	X				X
O	O	O				

blinds first

BLINDSFIRST.COM

SHIPS NEXT DAY, GUARANTEED

CUSTOMER SUPPORT: 1-888-553-3811

www.blindsfirst.com @blindsfirst fb.com/blindsfirst

### E INSTALLING YOUR WINDOW SHADINGS INTO THE BRACKETS

The integrated headrail system used on your Blinds First Savannah Shadings is designed to eliminate the need for a separate snap on valance, and to provide the aesthetic enhancement of concealed brackets.

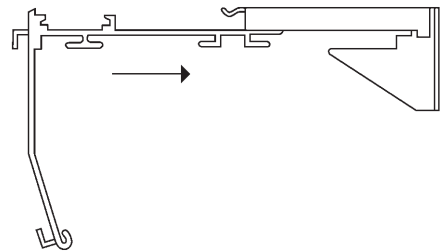


FIGURE 1

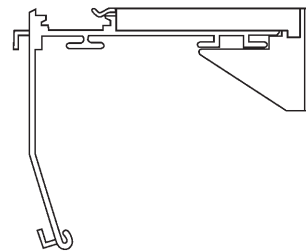


FIGURE 2

1. Push the rail back until it is fully engaged (Fig. 1 and Fig. 2).

2. To remove the shading, partially lower the shading and insert a flat head screwdriver as shown (Fig. 3). Twist the screwdriver until the headrail disengages from the bracket.

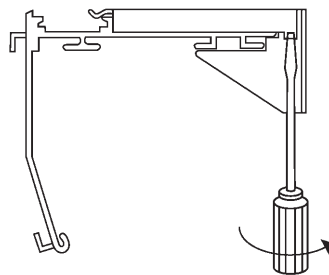
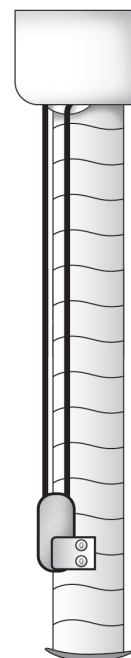


FIGURE 3

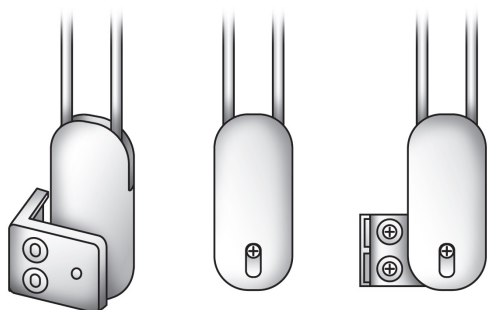
### F CORD TENSIONER INSTALLATION ESSENTIAL FOR CHILD SAFTY

Lower the shading. Choose one of the three installation methods shown to position the tension device on the window frame or the wall so that the tension device and the control cord do not interfere with shade operation.

The control cord must be taut but still operable. Do not allow for any slack. Do not twist or cross the control cord.

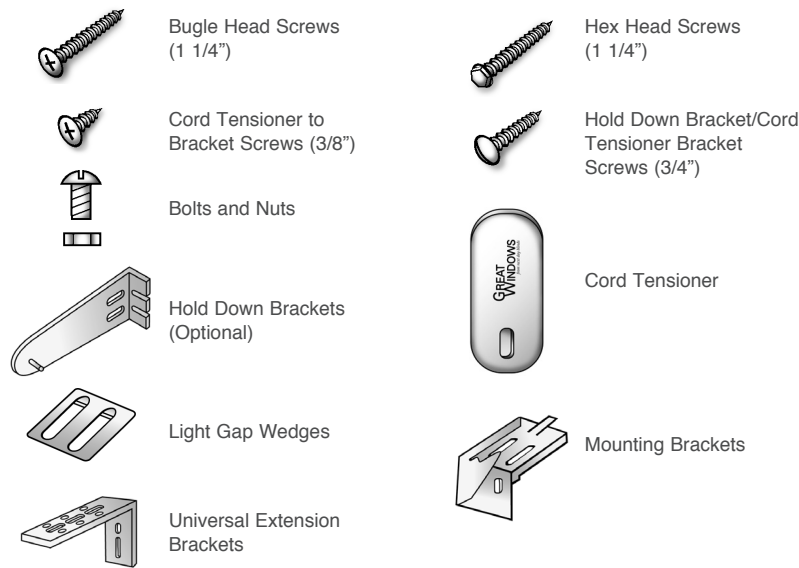


Installation Methods



## A GETTING STARTED

The Parts: Before starting, please remove and identify the following parts required for the installation of your shades:



## B THE TOOLS

To install your Blinds First Carolina Shadings, you will need a few basic tools:  
**Phillips head screwdriver\***, or **1/4" nut driver\***  
 \*Power screwdriver or power drill with #2 Phillips attachment or 1/4" nut driver attachment may be used.

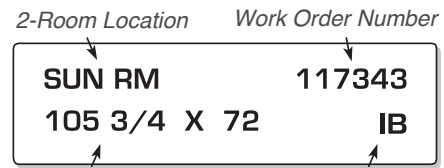
### Important Note:

Screws provided are for installation into wooden frames only. For metal surfaces, use suitable sheet metal screws and pre-drill holes. For concrete, stone, brick, or tile, use a carbide drill and appropriate anchors and screws. For wallboard or plaster, use hollow wall anchors and/or longer screws to reach framing or stud. In all cases, follow the fastener manufacturer's recommendations.

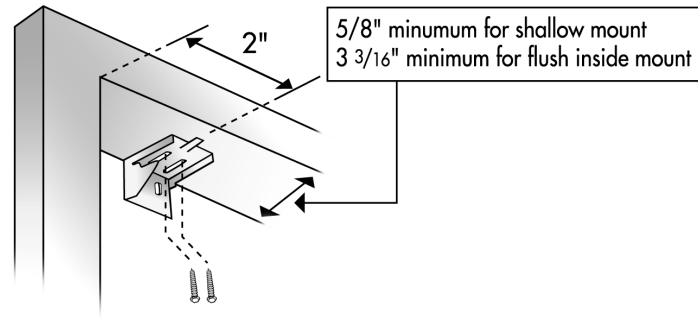
## C SORTING YOUR BLINDS

Inside the headrail of your Blinds First Savannah Shade, there is a sorting label. This appears as seen below:

- Order size of the blind
- Room location (If not present, info not given at time of order.)
- Whether the blind was ordered for inside mount (IB), or outside mount (OB)

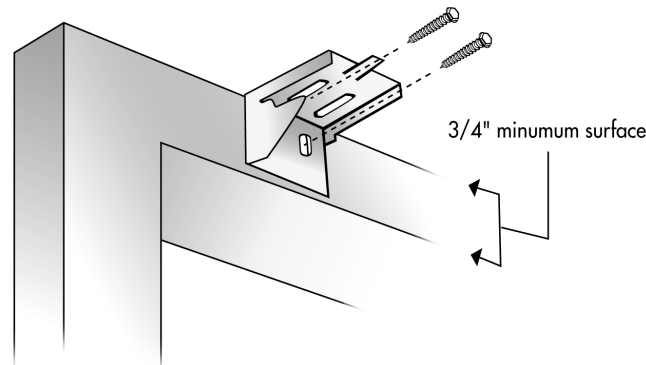


## D INSIDE MOUNT BRACKET INSTALLATION



### Outside Mount Bracket Installation

**Important Note:** Make sure your mounting surface is level. If headrail is not level, the blind will roll up crooked.



### Side Mount Bracket Installation (optional)

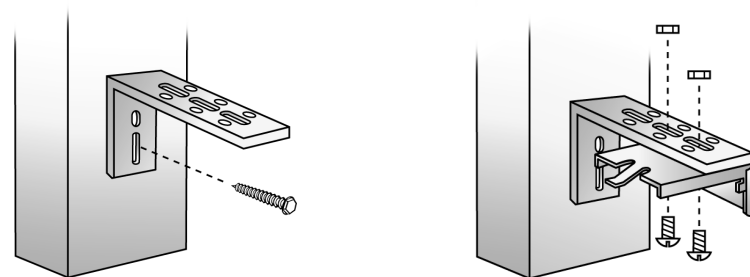


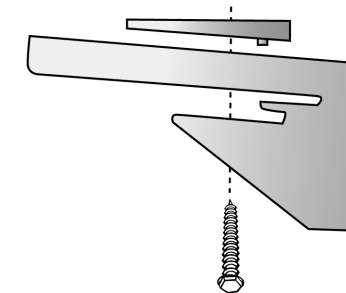
FIGURE 1

FIGURE 2

- Position screw in center of slot so you can adjust position of bracket as necessary.

- Measure from window sill up to desired mounting position on each side of the window frame. Mark position. Mount Side Mount Brackets on each side of window frame as shown (Fig. 1). Make sure to confirm that headrail will sit perfectly level. Once Side Mount Brackets are installed and properly positioned, attach the Standard Mounting Brackets using the nuts and bolts provided (Fig. 2).

### Installing Low Light Gap Wedges (optional)



Low light gap wedges can be used to reduce the light gap above the headrail. The wedge is placed between the mounting surface and the bracket with the tabs on the wedge facing down and the thick end of the wedge toward the back of the bracket.

### Extension Brackets (optional)

Optional Extension Brackets are used to project the back of the shadings up to 2 1/2" from the mounting surface. Attach the Standard Mounting Bracket to the Extension Bracket with the nut and bolt provided (Fig. 1).

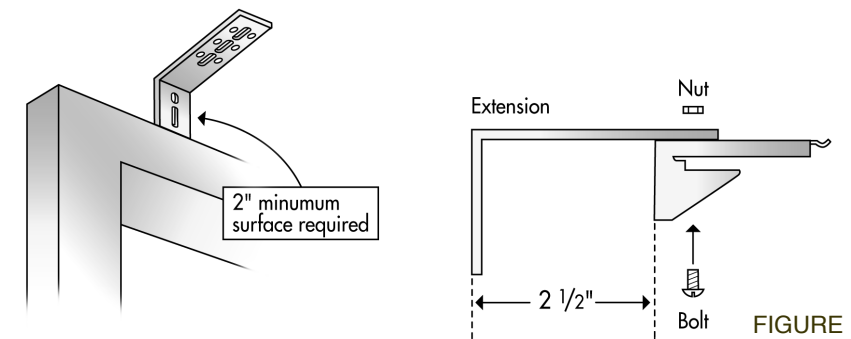


FIGURE 1